

MRL Passenger Elevator

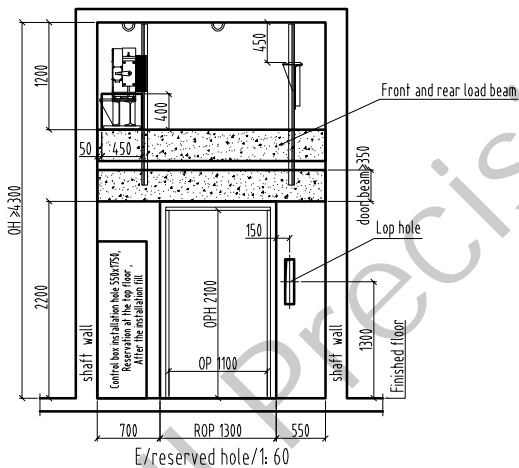
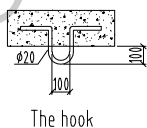
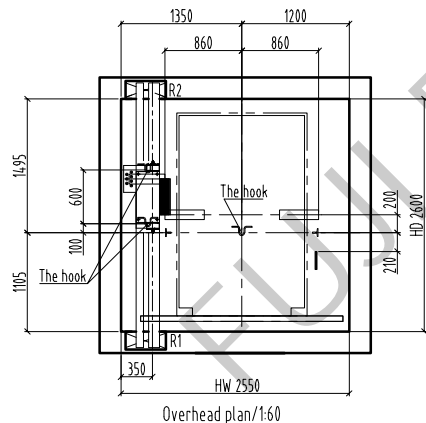
Hoistway Structure

Concrete Brick & Concrete Other

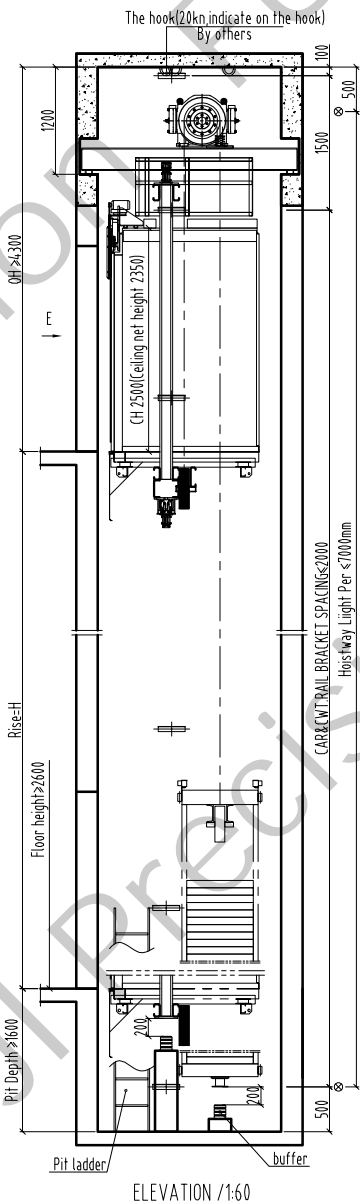
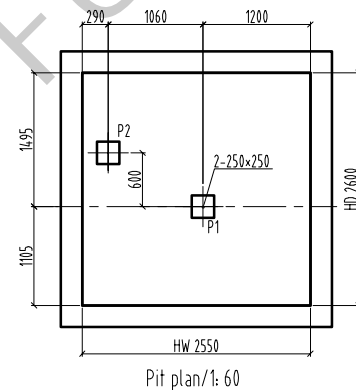
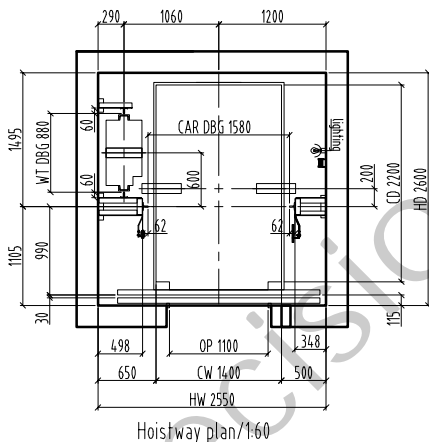
Unstandard Standard

NOTE

| | | TKJW 1350 / 1.0 -VF | | Technical Requirement: | | | |
|---------|--|---------------------|--------------------------|------------------------|-------------------------|-----------|-------------|
| HW | HOISTWAY WIDTH | CW | CAR INSIDE WIDTH | Type | / / | Door type | Center open |
| HD | HOISTWAY DEPTH | CD | CAR INSIDE DEPTH | load | 1350 kg | speed | 1.0 m/s |
| OP | DOOR OPENING WIDTH | CH | CAR HEIGHT | Machine | MCK300 | Roping | 2:1 |
| ROP | WALL OPENING WIDTH | MRW | MACHINE ROOM WIDTH | T/sheave | φ 4.00 | D/sheave | φ |
| OPH | DOOR OPENING HEIGHT | MRD | MACHINE ROOM DEPTH | car sheave | φ 4.4.0 | CW sheave | φ 4.00 |
| OH | OVERHEAD HEIGHT | MRH | MACHINE ROOM HEIGHT | Shaft | HW 2550 mm x HD 2600 mm | | |
| CAR DBG | DISTANCE BETWEEN CAR GUIDE RAILS | Cabin | CW 1400 mm x CD 2200 mm | | | | |
| CWT DBG | DISTANCE BETWEEN COUNTERWEIGHT GUIDE RAILS | Door | OP 1100 mm x OPH 2100 mm | | | | |



Bottom box Lop: 100x500 (base station) 100x400 (remaining stations)
No bottom box Lop hole: φ50 hole



| OH | ≥4300 |
|-------|--------|
| Rise | H |
| 26 F | |
| 25 F | |
| 24 F | |
| 23 F | |
| 22 F | |
| 21 F | |
| 20 F | |
| 19 F | |
| 18 F | |
| 17 F | |
| 16 F | |
| 15 F | |
| 14 F | |
| 13 F | |
| 12 F | |
| 11 F | |
| 10 F | |
| 9 F | |
| 8 F | |
| 7 F | |
| 6 F | |
| 5 F | |
| 4 F | |
| 3 F | |
| 2 F | |
| 1 F | |
| G F | |
| B F | |
| Pit | ≥1600 |
| Floor | Height |

FTKW 1350-05

approver

Drawing No. FTKW 1350-05

Project name

Manufacturing no.

Drawing

FUJI PRECISION

approver

Drawing No. FTKW 1350-05

Project name

Manufacturing no.

Drawing

Manufacturing no.

Project name

Drawing

Manufacturing no.

Project name

Drawing

Manufacturing no.

Project name

Drawing

Manufacturing no.

Project name

Drawing

Manufacturing no.

Project name