

# MRL Freight Elevator

## Hoistway Structure

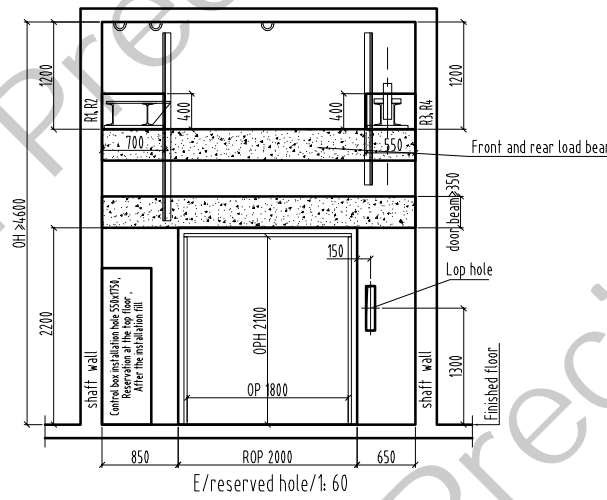
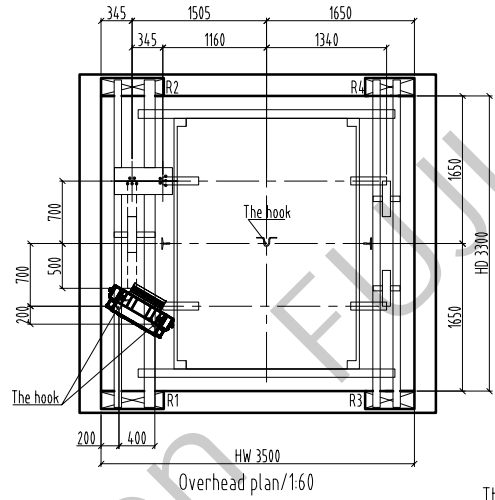
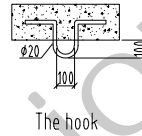
Concrete  Brick & Concrete  Other

Unstandard  Standard

NOTE

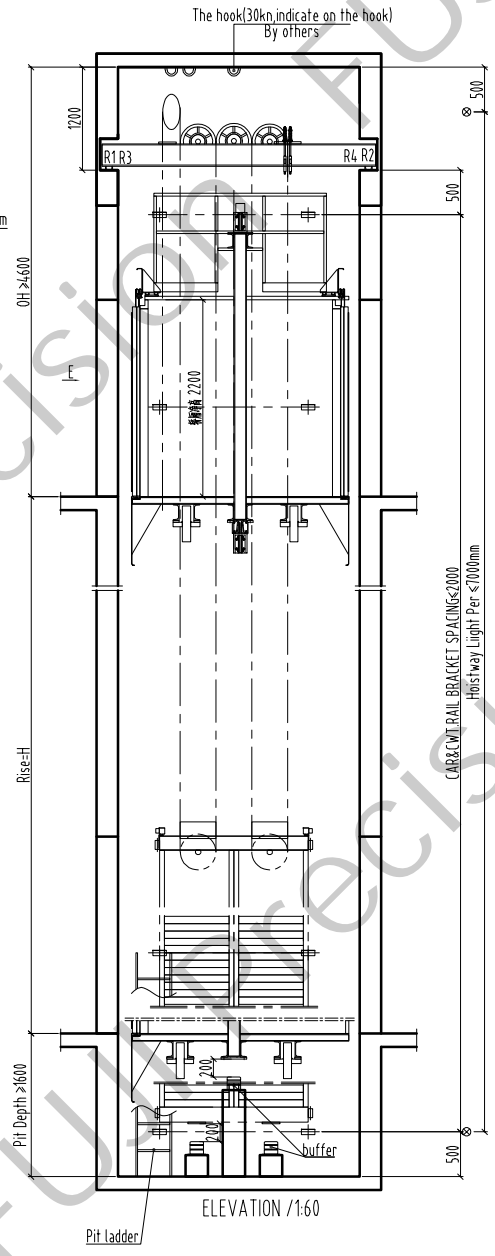
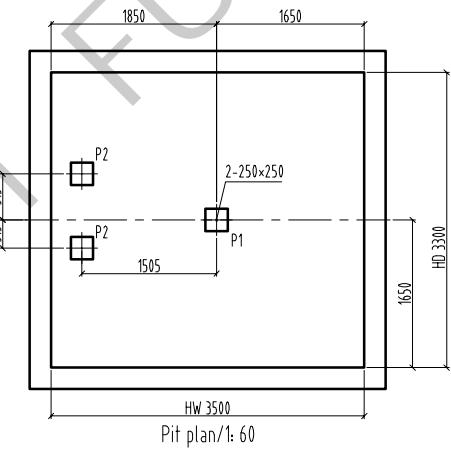
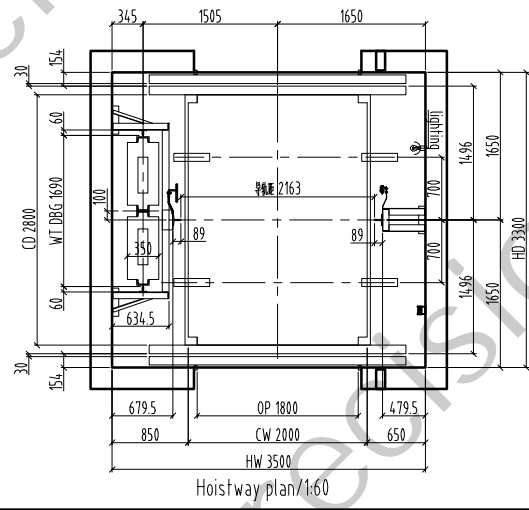
Technical Requirement:

|         |  |     |                     |            |                          |           |                            |
|---------|--|-----|---------------------|------------|--------------------------|-----------|----------------------------|
| HW      | HOISTWAY WIDTH                             | CW  | CAR INSIDE WIDTH    | Type       | THJW3000 / 0.5-VF        |           |                            |
| HD      | HOISTWAY DEPTH                             | CD  | CAR INSIDE DEPTH    | F/P/D      | / /                      | Door type | Four Panels Centre Opening |
| OP      | DOOR OPENING WIDTH                         | CH  | CAR HEIGHT          | load       | 3000 kg                  | speed     | 0.5 m/s                    |
| ROP     | WALL OPENING WIDTH                         | MRW | MACHINE ROOM WIDTH  | Machine    | MCK200                   | Roping    | 4:1                        |
| OPH     | DOOR OPENING HEIGHT                        | MRD | MACHINE ROOM DEPTH  | T/sheave   | φ 4.00                   | D/sheave  | φ 4.00                     |
| OH      | OVERHEAD HEIGHT                            | MRH | MACHINE ROOM HEIGHT | car sheave | φ 4.00                   | CW sheave | φ 4.00                     |
| CAR DBG | DISTANCE BETWEEN CAR GUIDE RAILS           |     |                     | Shaft      | HW 3500 mm x HD 3300 mm  |           |                            |
| CWT DBG | DISTANCE BETWEEN COUNTERWEIGHT GUIDE RAILS |     |                     | Cabin      | CW 2000 mm x CD 2800 mm  |           |                            |
|         |  |     |                     | Door       | OP 1800 mm x OPH 2100 mm |           |                            |



The other side door hole is symmetrically reserved according to E to the door hole

Bottom box Lop: 100x500 (base station) 100x400 (remaining stations)  
No bottom box Lop hole: φ50 hole



|       |        |
|-------|--------|
| OH    | ≥4600  |
| Rise  | H      |
| 10 F  |        |
| 9 F   |        |
| 8 F   |        |
| 7 F   |        |
| 6 F   |        |
| 5 F   |        |
| 4 F   |        |
| 3 F   |        |
| 2 F   |        |
| 1 F   |        |
| GF    |        |
| B F   |        |
| Pit   | ≥1600  |
| Floor | Height |

|                   |                |
|-------------------|----------------|
| Drawing           | approver       |
| Drawing No.       | FTHW 3000 -05- |
| manufacturing no. |                |
| Project name      |                |

FUJI PRECISION