

# MR Freight Elevator

Hoistway Structure

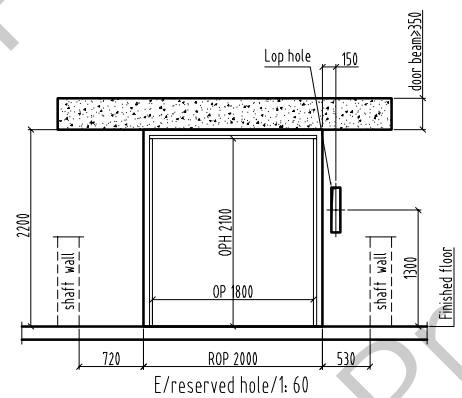
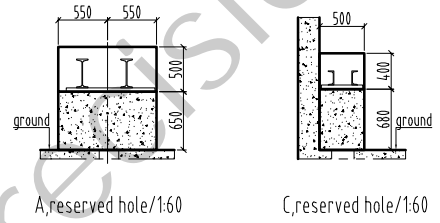
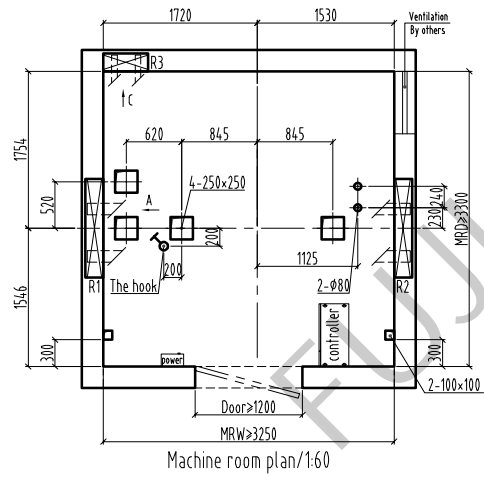
Concrete  Brick & Concrete  Other

Unstandard  Standard

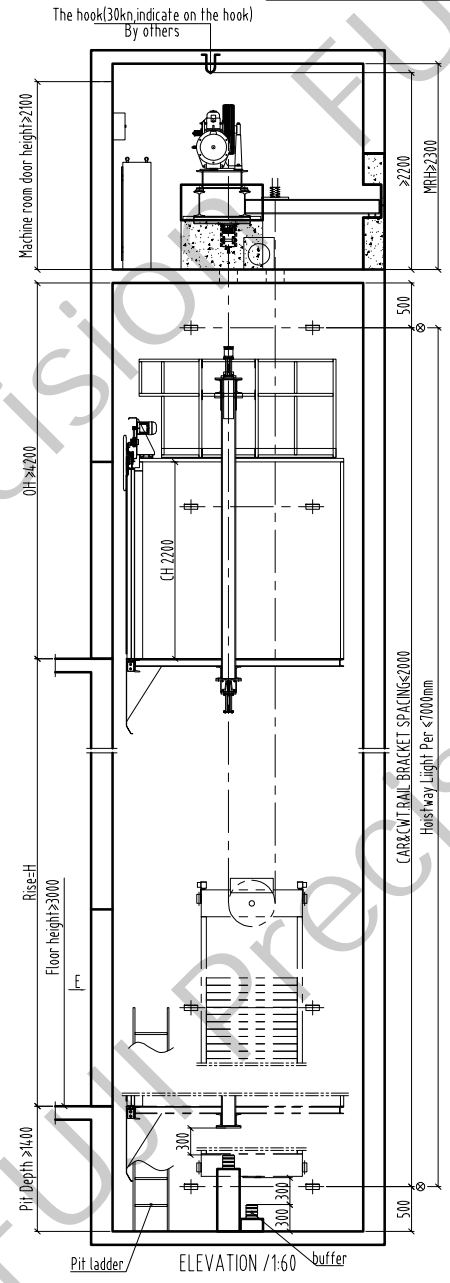
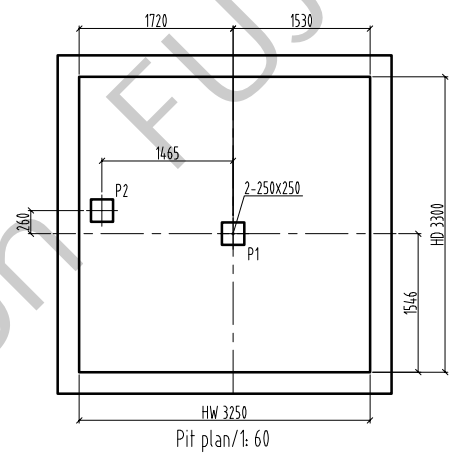
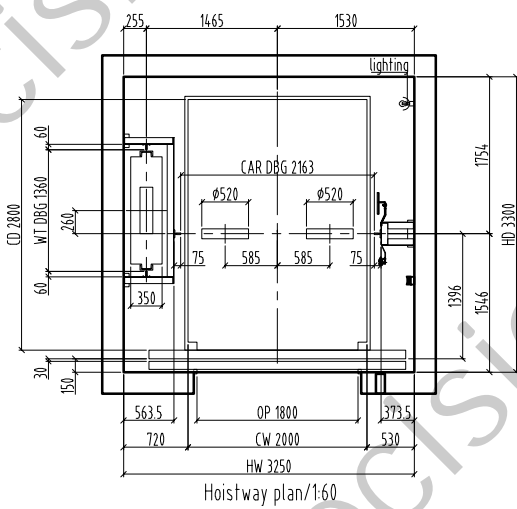
NOTE

Technical Requirement:

HW	HOISTWAY WIDTH	CW	CAR INSIDE WIDTH	Type	THJ 3000 / 0.5-VF		
HD	HOISTWAY DEPTH	CD	CAR INSIDE DEPTH	F/P/D	/	/	Door type Four Panels (Centre Opening)
OP	DOOR OPENING WIDTH	CH	CAR HEIGHT	load	3000	kg	speed 0.5 m/s
ROP	WALL OPENING WIDTH	MRW	MACHINE ROOM WIDTH	Machine	YJ245-B	Roping	2 : 1
OPH	DOOR OPENING HEIGHT	MRD	MACHINE ROOM DEPTH	T/sheave	φ 620	D/sheave	φ
OH	OVERHEAD HEIGHT	MRH	MACHINE ROOM HEIGHT	car sheave	φ 520	CW sheave	φ 520
CAR DBG	DISTANCE BETWEEN CAR GUIDE RAILS			shaft	HW 3250	mm x HD 3300	
CWT DBG	DISTANCE BETWEEN COUNTERWEIGHT GUIDE RAILS			Cabin	CW 2000	mm x CD 2800	
				Door	OP 1800	mm x OPH 2100	



Bottom box Lop: 100x500 (base station) 100x400 (remaining stations)  
No bottom box Lop hole: φ50 hole



OH	≥4200
Rise	H
10 F	
9 F	
8 F	
7 F	
6 F	
5 F	
4 F	
3 F	
2 F	
1 F	
GF	
B F	
Pit	≥1400
Floor	Height

Drawing	approver
Drawing No.	FTH 3000-01-
manufacturing no.	
Project name	

FUJI PRECISION