

MR Medical Elevator

Hoistway Structure

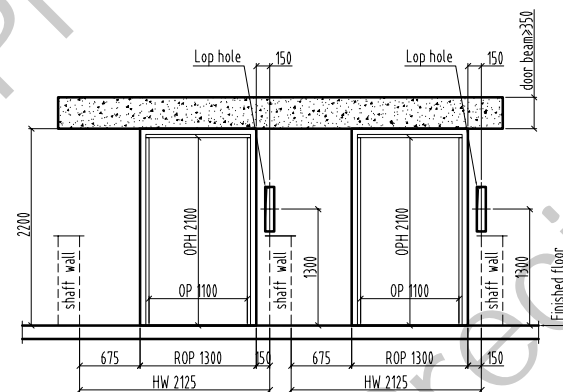
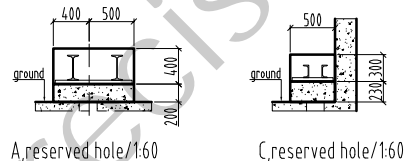
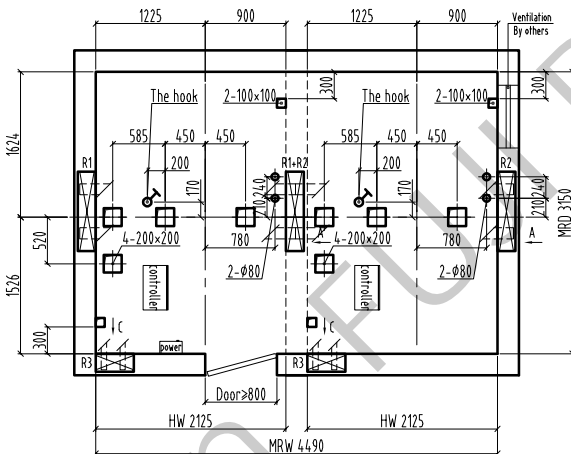
Concrete Brick & Concrete Other

Unstandard Standard

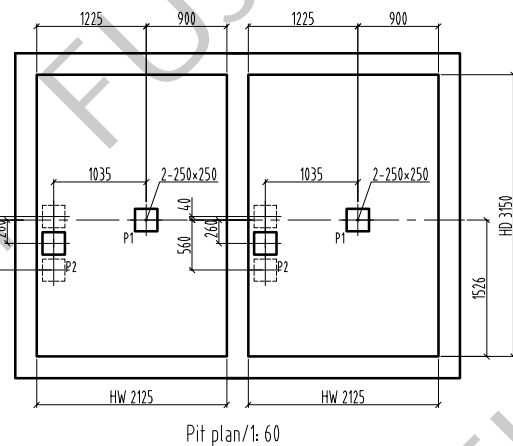
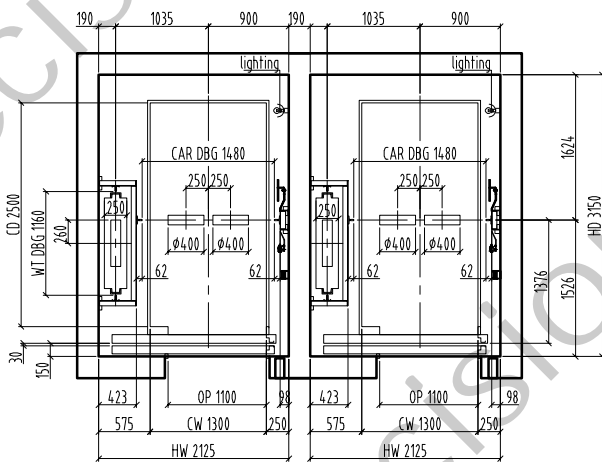
NOTE

Technical Requirement:

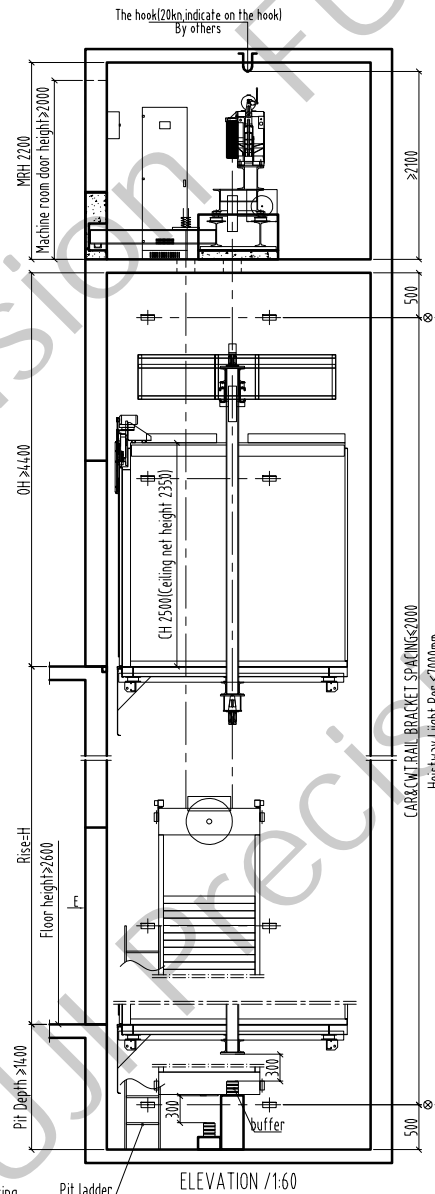
HW	HOISTWAY WIDTH	CW	CAR INSIDE WIDTH	Type	TBJ 1600 / 1.0 -VF		
HD	HOISTWAY DEPTH	CD	CAR INSIDE DEPTH	F/P/D	/	/	Door type Side open
OP	DOOR OPENING WIDTH	CH	CAR HEIGHT	load	1600	kg	speed 1.0 m/s
ROP	WALL OPENING WIDTH	MRW	MACHINE ROOM WIDTH	Machine	MCK300	Roping	2 : 1
OPH	DOOR OPENING HEIGHT	MRD	MACHINE ROOM DEPTH	T/sheave	∅ 400	D/sheave	∅ 400
OH	OVERHEAD HEIGHT	MRH	MACHINE ROOM HEIGHT	car sheave	∅ 400	CW sheave	∅ 520
CAR DBG	DISTANCE BETWEEN CAR GUIDE RAILS			Shaft	HW 2125	mm x HD 3150	mm
CWT DBG	DISTANCE BETWEEN COUNTERWEIGHT GUIDE RAILS			Cabin	CW 1300	mm x CD 2500	mm
				Door	OP 1100	mm x OPH 2100	mm



Bottom box Lop: 100x500 (base station) 100x400 (remaining stations)
No bottom box Lop hole: ∅50 hole



When $v < 1.0$ m/s, $H = 300$; when 1.0 m/s $< v < 1.75$ m/s, $H = 800$; when the lifting height is more than 35m, the buffer pier P2 is arranged according to the dotted line, the bearing capacity is pressed A single P2/2 calculation.



OH	≥4.00
Rise	H
26 F	
25 F	
24 F	
23 F	
22 F	
21 F	
20 F	
19 F	
18 F	
17 F	
16 F	
15 F	
14 F	
13 F	
12 F	
11 F	
10 F	
9 F	
8 F	
7 F	
6 F	
5 F	
4 F	
3 F	
2 F	
1 F	
G F	
B F	
Pit	≥1400
Floor	Height

Drawing No. FTB 1600 -01-

FUJI PRECISION