

MRL Home elevator

Wire rope traction

Control cabinet size

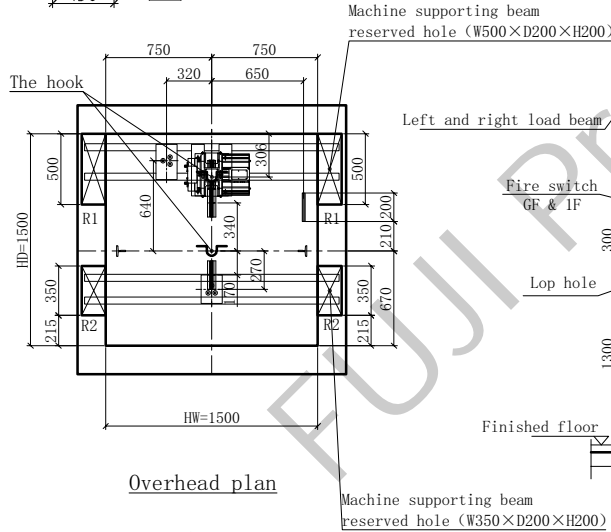
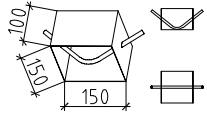
NOTE

Technical Requirement

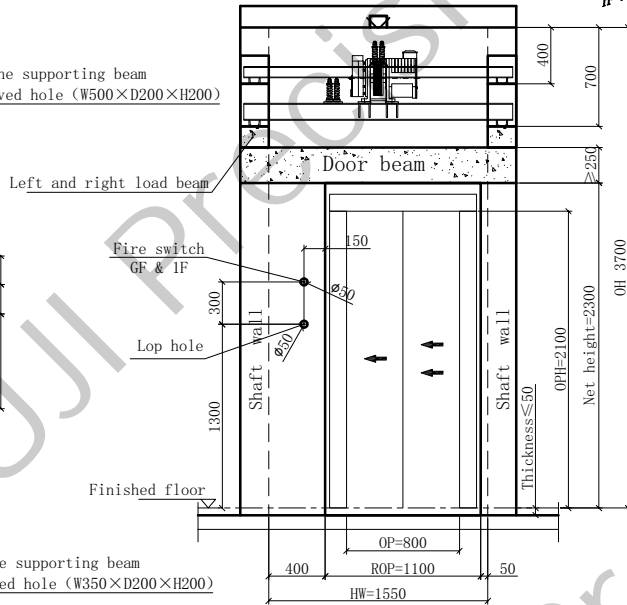
Hoistway Structure

Concrete Brick & Concrete Other

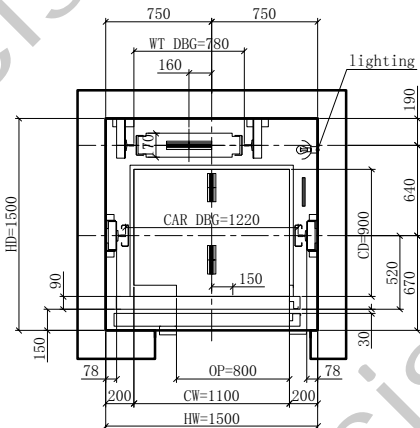
Schematic diagram of hook



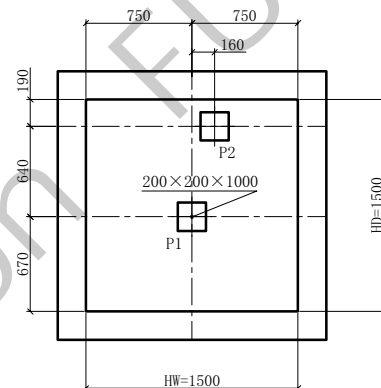
Overhead plan



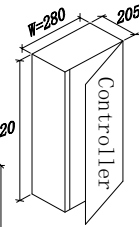
E direction Doorway schematic Facing Hoistway



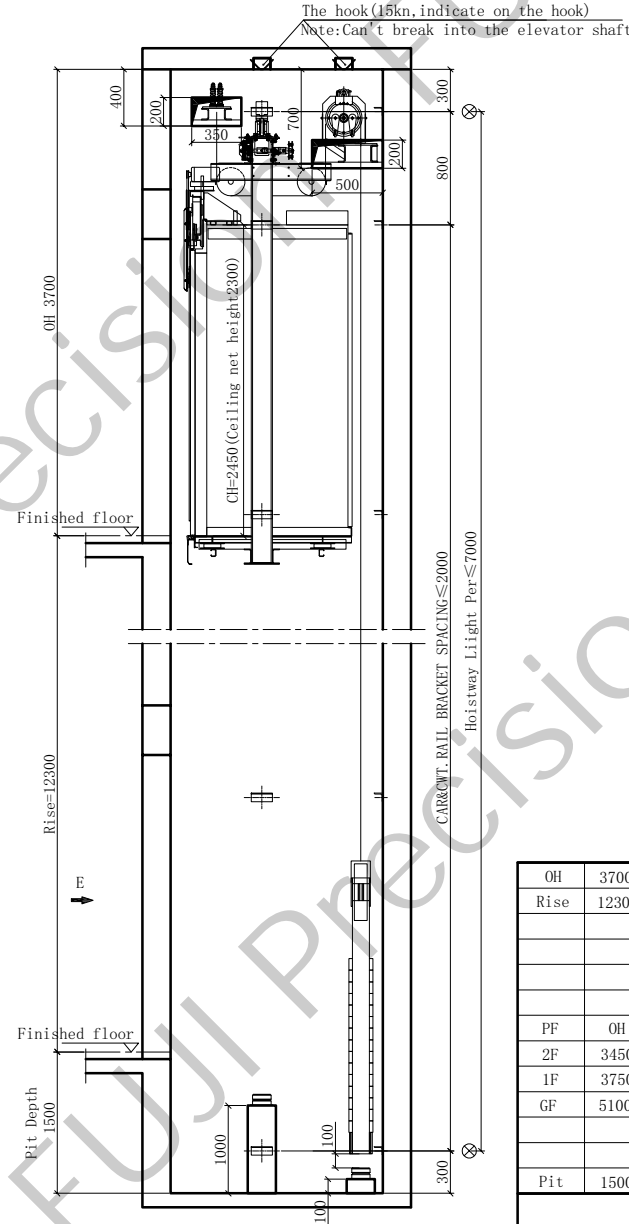
Hoistway plan



Pit plan



HW	HOISTWAY WIDTH	CW	CAR INSIDE WIDTH
HD	HOISTWAY DEPTH	CD	CAR INSIDE DEPTH
OP	DOOR OPENING WIDTH	CH	CAR HEIGHT
ROP	WALL OPENING WIDTH	OH	OVERHEAD HEIGHT
OPH	DOOR OPENING HEIGHT		
CAR DBG	DISTANCE BETWEEN CAR GUIDE RAILS		
CWT DBG	DISTANCE BETWEEN COUNTERWEIGHT GUIDE RAILS		



type				TJJ 450 / 1.0			
F/P/D		4 / 4 / 4		Door type		Side open	
load		450 kg		Speed		1.0 m/s	
Machine				Roping		2:1	
T/sheave		φ 200		D/sheave		φ	
car sheave		φ 200		CW sheave		φ 320	
Shaft		HW 1500 mm x HD 1500 mm		Cabin		CW 1100 mm x CD 900 mm	
Door		OP 800 mm x OPH 2100 mm		Speed		(m/s)	
Power				Power		(KW)	
OH				OH		(mm)	
Pit				Pit		(mm)	
current				415V 3phase 5wire, 50Hz, Fluctuation ±7%			
Support Force (N)							
R1	R2	R3	R4	P1	P2	P3	P4
28800	17200			45000	34000		

The work that the owner and the construction party should complete

1. The construction and waterproofing of pit about the shaft and machine room;
2. The dynamic power from the receiving box, piping of lighting earth line project and including the main switch;
3. Reserved hole about each exists and machine room floor;
4. The filling and whitewash project after finishing the installation about elevators door frame;
5. Machine room door, ventilation, lighting and the cinder and concrete on the floor after finishing the construction;
6. Piping and wiring about the emergency call from machine room to management room;

Others:
In accordance with the providing of the building ordinance, it is not allowed to arrange water pipe, electricity pipe, wind pipe in the shaft that are in perspective with the elevator.

OH	3700
Rise	12300
PF	OH
2F	3450
1F	3750
GF	5100
Pit	1500

Drawing		Approver	
Drawing No.	FT-J 450 -05-		
Manufacturing no.			
Project name			