

MRL Passenger Elevator

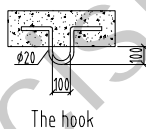
Hoistway Structure

Concrete Brick & Concrete Other

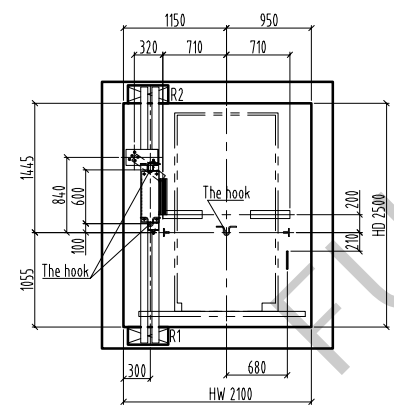
Unstandard Standard

NOTE

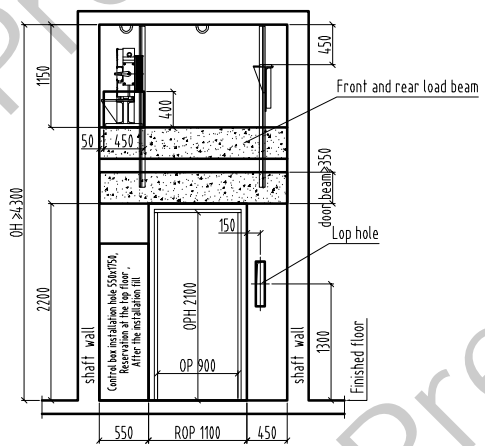
				Technical Requirement:			
HW	HOISTWAY WIDTH	CW	CAR INSIDE WIDTH	Type	TKJW 1000 / 1.0 -VF		
HD	HOISTWAY DEPTH	CD	CAR INSIDE DEPTH	F/P/D	/ /	Door type	Center open
OP	DOOR OPENING WIDTH	CH	CAR HEIGHT	load	1000	kg	speed 1.0 m/s
ROP	WALL OPENING WIDTH	MRW	MACHINE ROOM WIDTH	Machine	MCK200	Roping	2:1
OPH	DOOR OPENING HEIGHT	MRD	MACHINE ROOM DEPTH	T/sheave	φ 4.00	D/sheave	φ
OH	OVERHEAD HEIGHT	MRH	MACHINE ROOM HEIGHT	car sheave	φ 4.4.0	CW sheave	φ 4.00
CAR DBG	DISTANCE BETWEEN CAR GUIDE RAILS			Shaft	HW 2100 mm x HD	2500mm	
CWT DBG	DISTANCE BETWEEN COUNTERWEIGHT GUIDE RAILS			Cabin	CW 1100 mm x CD	2100mm	
				Door	OP 900 mm x OPH	2100mm	



The hook

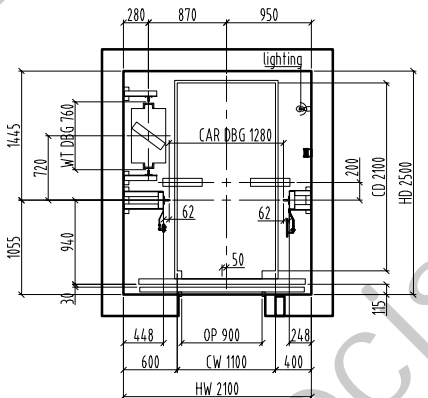


Overhead plan/1:60

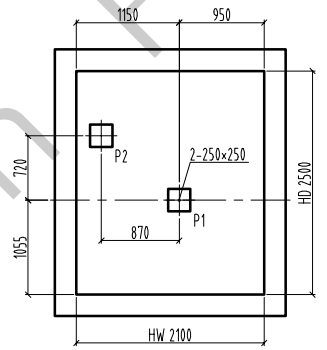


E/reserved hole/1: 60

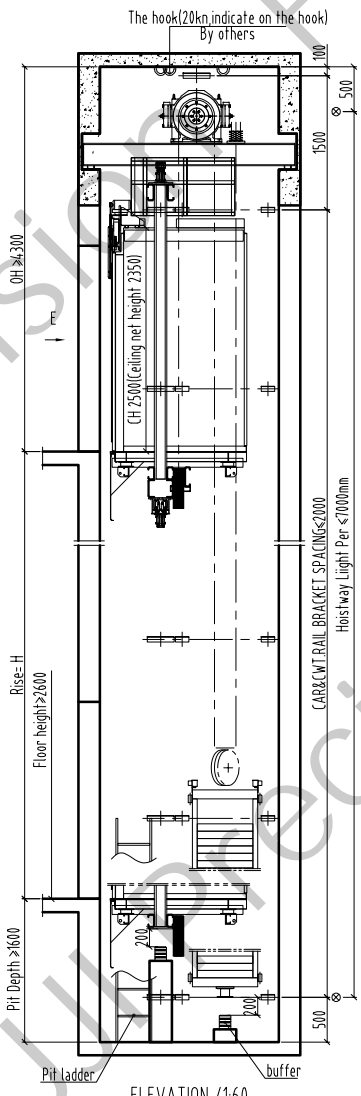
Bottom box Lop: 100x500 (base station) 100x400 (remaining stations)
No bottom box Lop hole: φ50 hole



Hoistway plan/1:60



Pit plan/1: 60



ELEVATION /1:60

OH	Rise	H
≥4300		
26 F		
25 F		
24 F		
23 F		
22 F		
21 F		
20 F		
19 F		
18 F		
17 F		
16 F		
15 F		
14 F		
13 F		
12 F		
11 F		
10 F		
9 F		
8 F		
7 F		
6 F		
5 F		
4 F		
3 F		
2 F		
1 F		
GF		
B F		
Pit	≥1600	
Floor	Height	

Drawing	approver		
Drawing No.	FTKW 1000-01-		
manufacturing no.			
Project name			
FUJI PRECISION			